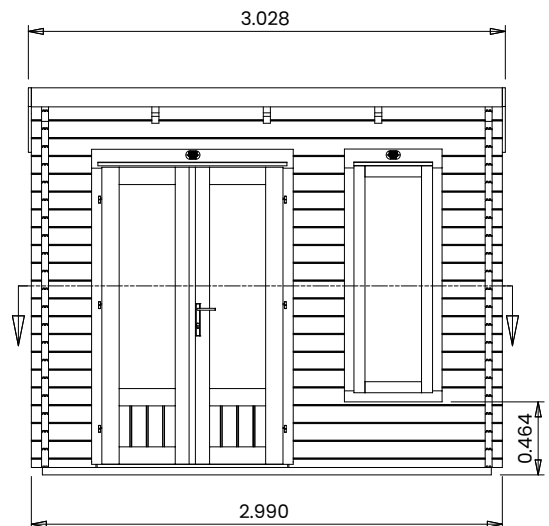
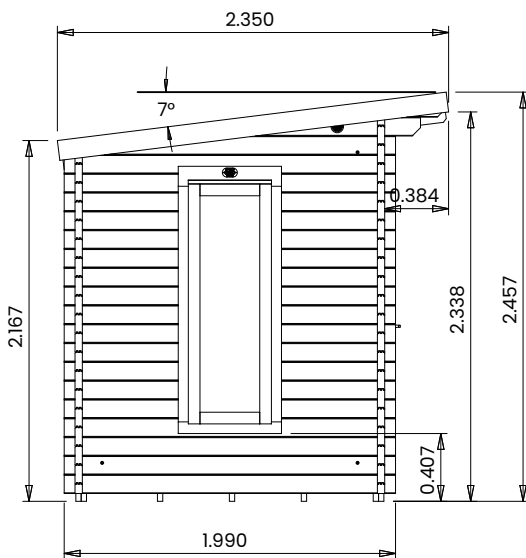
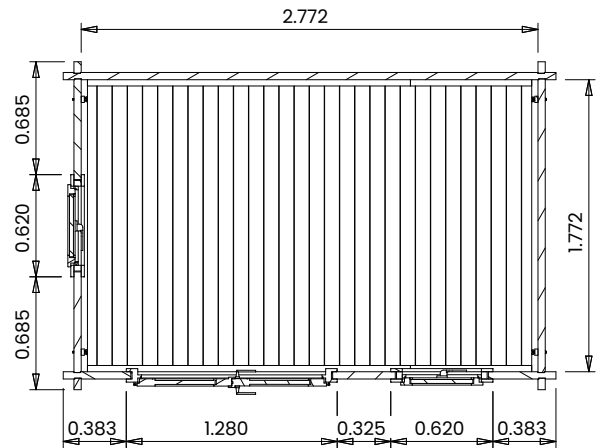


Terminator Log Cabin



Specification

- **Overall External Dimensions:** 3.028m x 2.350m (9' 11" x 7' 8")
- **External Width:** 2.990m (9' 9")
- **External Depth:** 1.990m (6' 6")
- **Internal Width:** 2.772m (9' 1")
- **Internal Depth:** 1.772m (5' 9")
- **Internal Area (m²):** 4.912m²
- **Ridge Height:** 2.457m (8' 0")
- **Internal Eaves Height Front (to under the roof boards):** 2.300m (7' 6")
- **Internal Eaves Height Front (to under the roof purlins):** 2.161m (7' 1")
- **Internal Eaves Height Back (to under the roof boards):** 2.080m (6' 9")
- **Internal Eaves Height Back (to under the roof purlins):** 1.940m (6' 4")
- **Walls:** 100% Slow-Grown Spruce
- **Building Style:** Strong Interlocking Tongue & Groove Logs
- **Floor Bearers:** Pressure Treated for Longevity
- **Door Locking System:** Industry Leading 6 Point Lock - 2 Cams, Latch & Hook Bolt, 2 Shootbolts
- **Door Height (Walkthrough Height):** 1.820m (5' 11")
- **Door Width (Walkthrough Width) :** Wide Opening 1.110m (3' 7")
- **Door Overall Frame Height:** 2.02m (6' 7")
- **Door Overall Frame Width:** 1.28m (4' 2")
- **Window Opening Size:** 0.436m x 1.371m (1' 5" x 4' 5")
- **Window Locking System:** Secure Multi-Point Locking with Espagnolettes
- **Glazing Options:** 24mm Double Glazing Included as Standard