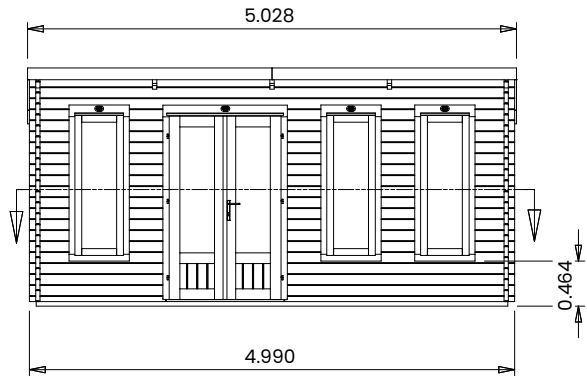
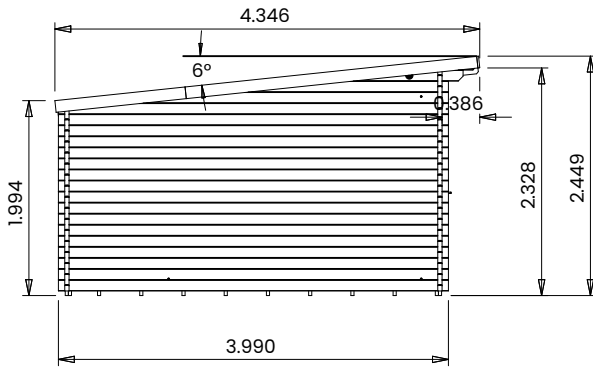
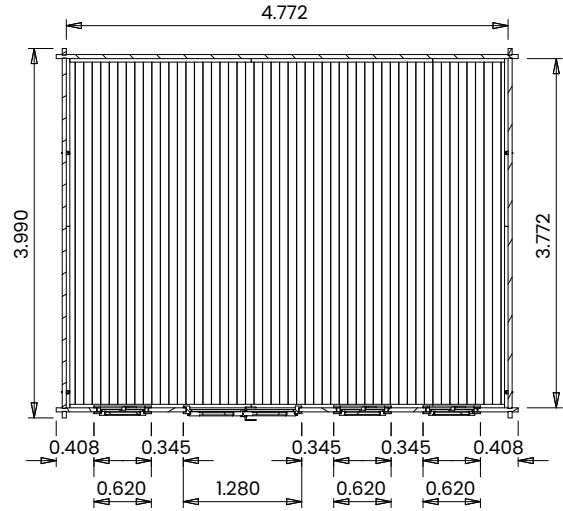


# Terminator Log Cabin



## Specification

- Overall External Dimensions: 5.028m x 4.346m (16' 5" x 14' 3")
- External Width: 4.990m (16' 4")
- External Depth: 3.990m (13' 1")
- Internal Width: 4.772m (15' 7")
- Internal Depth: 3.772m (12' 4")
- Internal Area (m<sup>2</sup>): 18.0m<sup>2</sup>
- Ridge Height: 2.449m (8' 0")
- Internal Eaves Height Front (to under the roof boards): 2.301m (7' 6")
- Internal Eaves Height Front (to under the roof purlins): 2.161m (7' 1")
- Internal Eaves Height Back (to under the roof boards): 1.904m (6' 2")
- Internal Eaves Height Back (to under the roof purlins): 1.764m (5' 9")

- Walls: 100% Slow-Grown Spruce
- Building Style: Strong Interlocking Tongue & Groove Logs
- Floor Bearers: Pressure Treated for Longevity
- Door Locking System: Industry Leading 4 Point Lock - 2 Cams, Latch & Hook Bolt
- Door Height (Walkthrough Height): 1.820m (5' 11")
- Door Width (Walkthrough Width): Wide Opening 1.110m (3' 7")
- Door Overall Frame Height: 2.02m (6' 7")
- Door Overall Frame Width: 1.28m (4' 2")
- Window Opening Size: 0.436m x 1.371m (1' 5" x 4' 5")
- Window Locking System: Secure Multi-Point Locking with Espagnolettes
- Glazing Options: 24mm Double Glazing Included as Standard