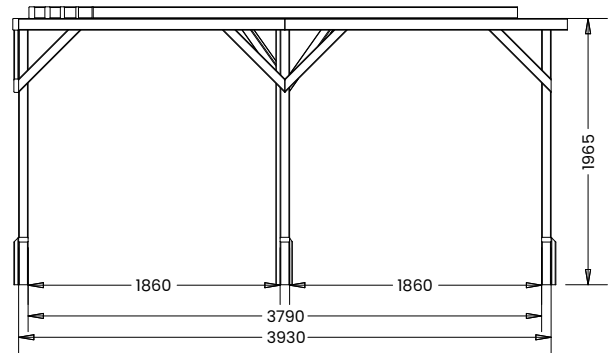
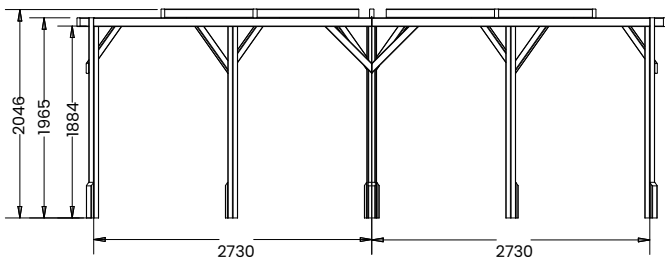
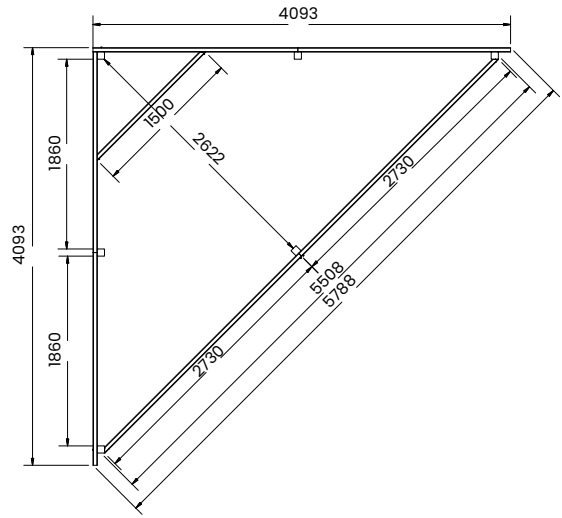


Utopia Triangle Corner Pergola



Specification

- **Please Note:** All sizes quoted are nominal
- **External Width:** 4.09m (13' 5")
- **External Depth:** 4.09m (13' 5")
- **Internal Width:** 3.79m (12' 5")
- **Internal Depth:** 3.79m (12' 5")
- **Overall Height:** 2.05m (6' 8")
- **Internal Eaves Height:** 1.97m (6' 5")
- **Uprights:** 70mm x 70mm
- **Guarantee:** 10 Years on Pressure Treated Timber against Rot and Insect Infestation

- **Timber:** Slow Grown Spruce
 - **Approx. DIY Assembly Time:** 1 Days*
- *This is an approximate time only, based on 2 people. Assembly time may vary depending on season/weather conditions, foundation type, ability of those constructing, etc
- **Please Note:** All fixings needed for assembly are supplied
- Please Note:** All wood is pre-cut (with the exception of trims) for quick and easy construction.