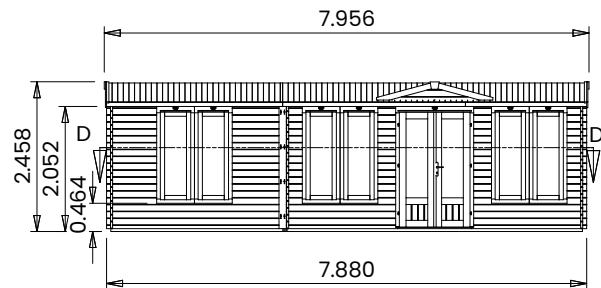
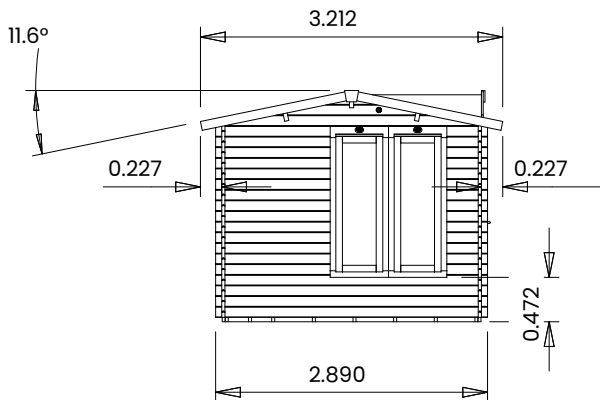
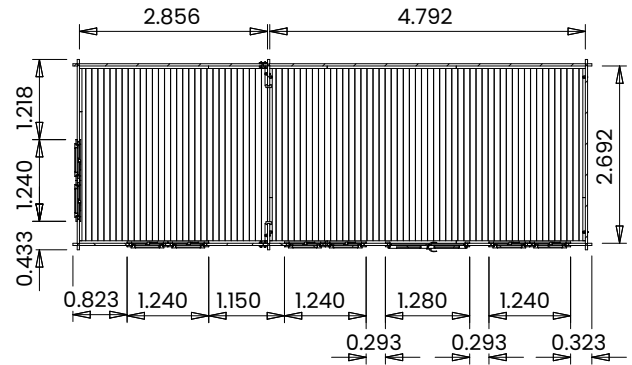


GhostFlower Log Cabin



Specification

- **Overall External Dimensions:** 7.956m x 3.212m (26' 1" x 10' 6")
- **External Width:** 7.880m (25' 10")
- **External Depth:** 2.890m (9' 5")
- **Internal Width:** 7.648m (25' 0")
- **Internal Depth:** 2.692m (8' 9")
- **Internal Area (m²):** 20.588m²
- **Ridge Height:** 2.458m (8' 0")
- **Internal Eaves Height:** 2.072m (6' 9") Plenty of Headroom!
- **Roof Covering Options:** Roof Felt Included
- **Roof Overhang:** 0.227m (0' 8")
- **Roof Thickness:** 19mm Tongue & Groove
- **Floor Thickness:** 19mm Tongue & Groove
- **Wall:** 100% Slow-Grown Spruce
- **Wall Thickness:** 34mm
- **Floor Bearers:** Pressure Treated for Longevity
- **Building Style:** Strong Interlocking Tongue & Groove Logs
- **Door Locking System:** Multi-point lock
- **Glazing Options:** 24mm Double Glazing Included as Standard
- **Glazing Material:** 4mm Toughened Glass
- **Window Opening Size:** 1.371m x 0.436m (4' 5" x 1' 5")
- **Window Locking System:** Secure Multi-Point Locking with Espagnolettes
- **Approx. DIY Assembly Time:** 2 Days. This time is an approximation, based on two people building the basic product with no added extras. Assembly time may vary with additional items such as roof shingles, or external circumstances like the weather.