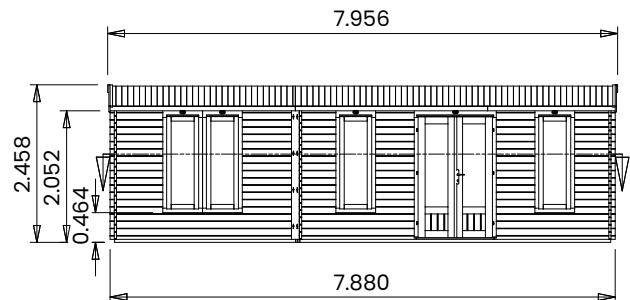
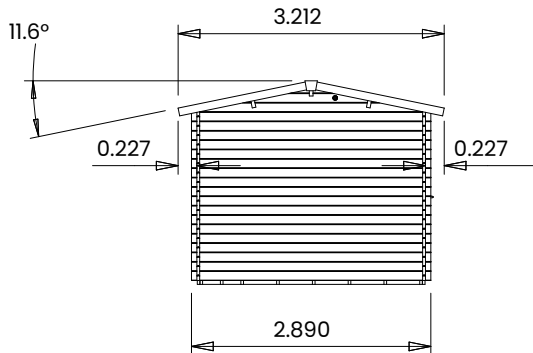
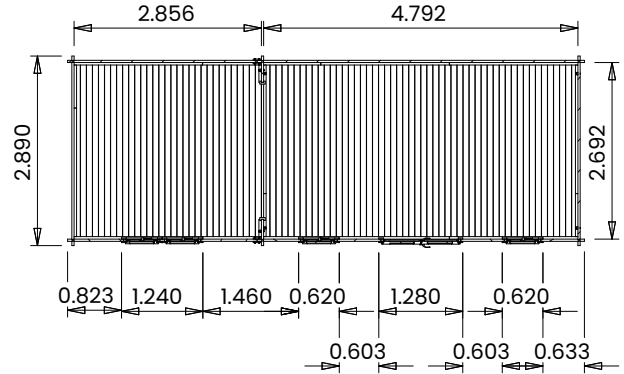


# NuclearBob Log Cabin



## Specification

- **Overall External Dimensions:** 7.956m x 3.212m (26' 1.25" x 10' 6.5")
- **External Width:** 7.880m (25' 10.25")
- **External Depth:** 2.890m (9' 5.75")
- **Internal Width:** 7.648m (25' 1")
- **Internal Depth:** 2.692m (8' 10")
- **Internal Area (m<sup>2</sup>):** 20.588m<sup>2</sup>
- **Middle Wall Encroachment:** 2.035m x 1.875m (6' 8" x 6' 1.75")
- **Ridge Height:** 2.458m (8' 0.75")
- **Internal Eaves Height:** 2.072m (6' 9.5") Plenty of Headroom!
- **Roof Overhang:** 0.227m (0' 9")
- **Roof Purlins:** 140mm x 45mm
- **Roof Thickness:** 19mm Tongue & Groove
- **Roof Covering Options:** None, Felt or Shingles
- **Building Style:** Strong Interlocking Tongue & Groove Logs
- **Wall Thickness:** 34mm
- **Included as Standard:** Plastic Vents, Adjustable Storm Braces, Assembly Instructions and Fixings
- **Approx. DIY Assembly Time:** 2 Days. This time is an approximation, based on two people building the basic product with no added extras. Assembly time may vary with additional items such as roof shingles, or external circumstances like the weather.