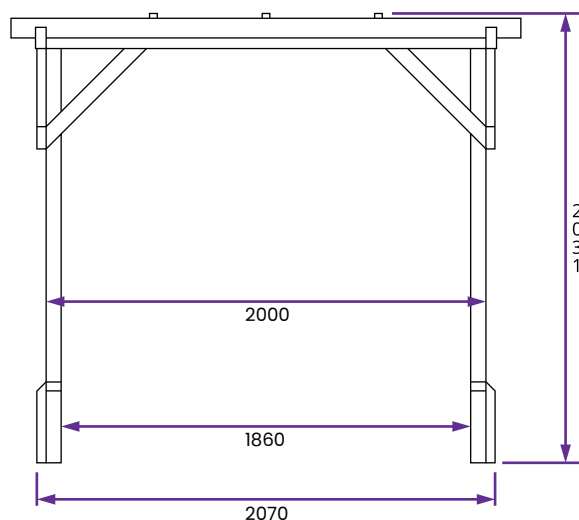
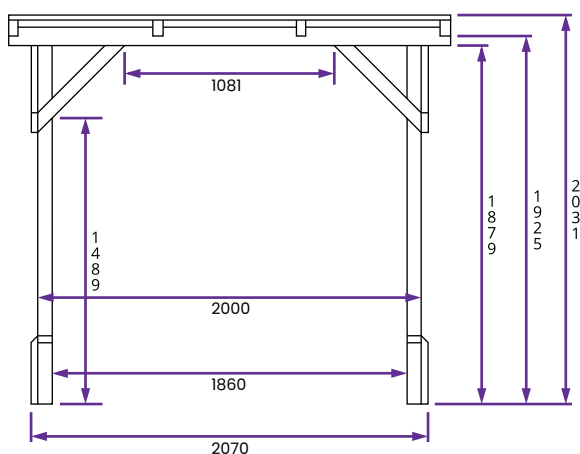
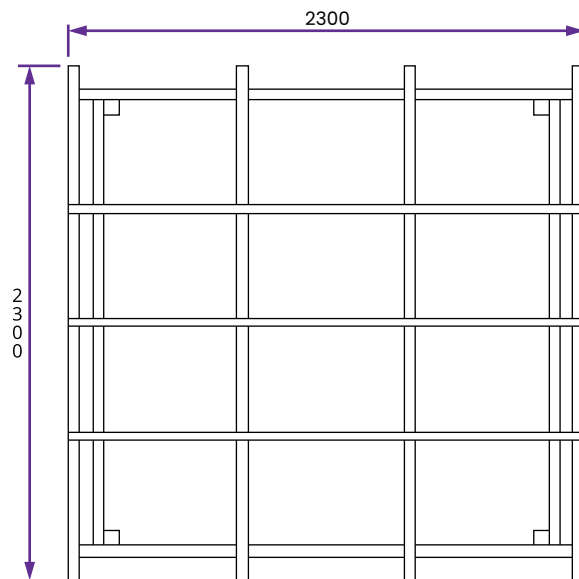


Utopia Slatted Wall Wooden Pergola



Specification

- Overall External Dimensions: 2.30m x 2.30m (7' 6" x 7' 6")
- External Width: 2.07m (6' 9")
- External Depth: 2.07m (6' 9")
- Internal Width: 1.86m (6' 1")
- Internal Depth: 1.86m (6' 1")
- Overall Height: 2.03m (6' 7")
- Internal Eaves Height: 1.92m (6' 3")
- Timber: Pressure Treated Spruce
- Uprights: 70mm x 70mm

- Approx. Assembly Time: 1 Day*

*This is an approximate time only, based on 2 people. Assembly time may vary depending on season/weather conditions, foundation type, ability of those constructing, etc

- Guarantee: 10 Years on Pressure Treated Timber against Rot and Insect Infestation

- Please Note: All fixings needed for assembly are supplied