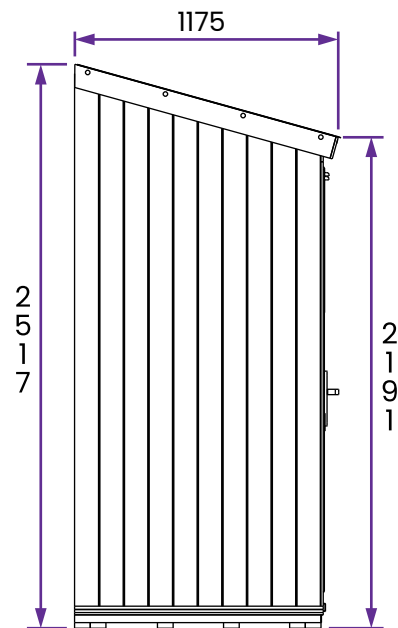
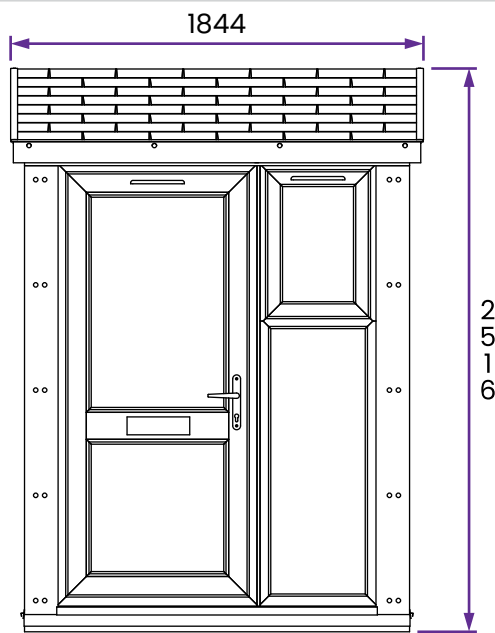
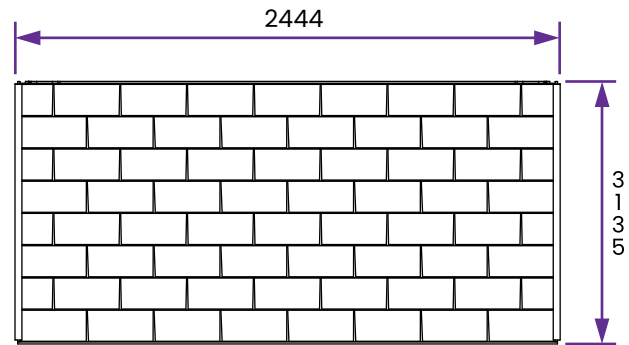


Addroom Porch Groove Effect



Specification

- **Overall External Dimensions:** 1.84m x 1.23m (6' 0" x 4' 0")
- **External Width:** 1.72m (5' 7")
- **External Depth:** 1.10m (3' 7")
- **Internal Width:** 1.44m (4' 8")
- **Internal Depth:** 1.02m (3' 4")
- **Internal Area(m²):** 1.48m²
- **Ridge Height:** 2.51m (8' 2")
- **Internal Eaves Height Front:** 2.11m (6' 11")
- **Internal Eaves Height Back:** 2.37m (7' 9")
- **Roof Thickness:** 41mm Insulated Sandwich Panel
- **Floor Thickness:** 40mm Insulated Sandwich Panel
- **Floor Bearers:** Pressure Treated
- **Wall Thickness:** 140mm Insulated Panel, Consisting of: 10mm WPC (Wood Polymer Composite - Brick Effect), 50mm Insulation, 70mm Frame and 10mm Fermacell Inner Wall
- **PVCu Colour:** White as standard
- **Door Material:** Reinforced 5 Chamber PVCu Profile
- **Door Locking System:** Multi point locking system with 6 pin euro cylinder lock barrel
- **Door Opening Size:** 0.76m x 1.84m (2' 5" x 6' 0")
- **Window Opening Size:** 0.42m x 0.61m (1' 4" x 2' 0")
- **Window Locking System:** Multi Point Espagnolettes
- **Glazing Material:** 28mm Double Glazed, Toughened Glass