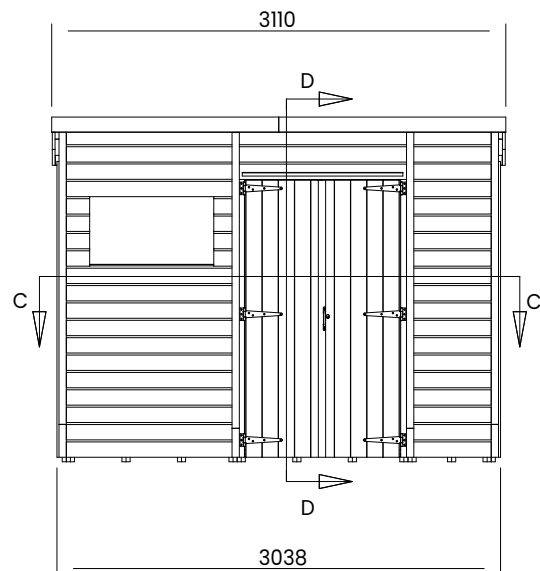
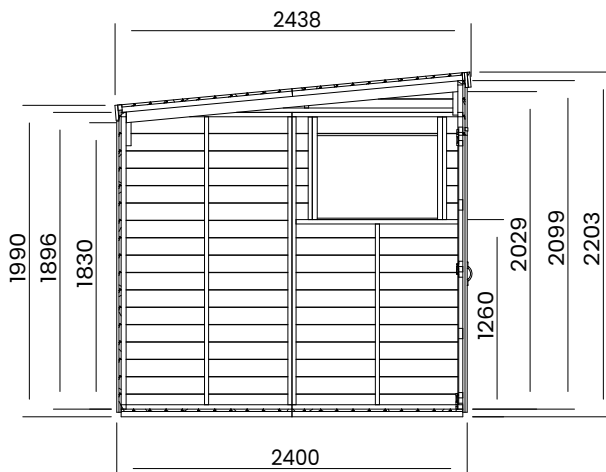
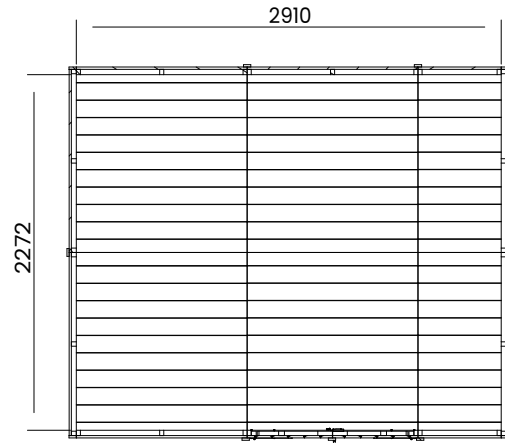


Overlord Modular Apex Shed



Specification

- **Overall External Dimensions:** W3.110m x D2.438m (10' 2.5" x 7' 12")
- **External Width:** 3.038m (9' 11.5")
- **External Depth:** 2.400m (7' 10.5")
- **Internal Width:** 2.910m (9' 6.5")
- **Internal Depth:** 2.272m (7' 5.5")
- **Internal Area (m²):** 6.612m (21' 8.25")
- **Internal Eaves Height (Front):** 2.910m (9' 6.5")
- **Internal Eaves Height (Rear):** 1.896m (6' 2.75")
- **Overall Height:** 2.203m (7' 2.75")
- **Roof Thickness:** 15mm Tongue & Groove
- **Overall Wall Thickness:** 15mm Tongue & Groove
- **Floor Thickness:** 15mm Tongue & Groove
- **Framing:** 28mm x 34mm
- **Walls:** 100% Slow Grown Spruce
- **Windows:** 4mm Toughened Glass

- **Floor Bearers:** Pressure Treated for Longevity
- **Guarantee:** 10 Years on Timber against Rot and Insect Infestation
- **Door Style:** Double Door
- **Door Locking System:** Lock and 2x Shoot Bolts
- **Approx DIY Assembly Time:** 2 Days - This is an approximate time only, based on 2 people. Assembly time may vary depending on season/weather conditions, foundation type, ability of those constructing, etc