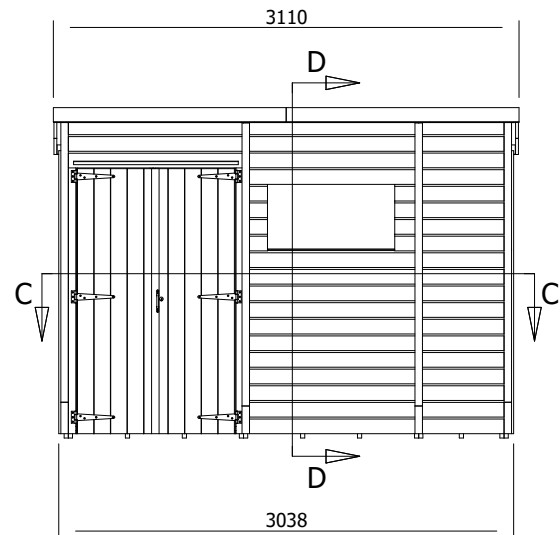
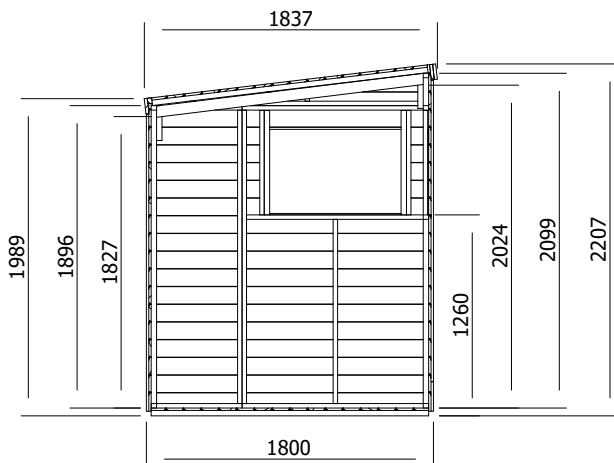
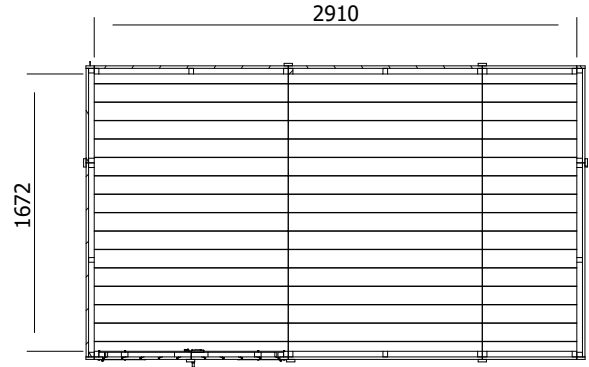


Overlord Modular Pent Shed



Specification

- Overall External Dimensions: W3.110m x D1.837m (10' 2.5" x 6' 0.25")
- External Width: 3.038m (9' 11.5")
- External Depth: 1.800m (5' 10.75")
- Internal Width: 2.910m (9' 6")
- Internal Depth: 1.672m (5' 5")
- Internal Area (m²): 4.866m (15' 11")
- Internal Eaves Front: 2.099m (6' 10.75")
- Internal Eaves (Rear): 1.896m (6' 2.75")
- Roof Thickness: 15mm Tongue & Groove
- Roof Covering Options: Felt Included as Standard
- Roof Purlins: 35mm x 70mm
- Walls: 15mm Tongue & Groove
- Floor Thickness: 15mm Tongue & Groove
- Framing: 28mm x 34mm
- Glazing Material: 4mm Toughened Glass
- Shed Door Style: Double Doors

- Shed Door Locking System: Lock and 2x Shoot Bolts
- Floor Bearers: Pressure Treated Bearers Included
- Guarantee: 10 Years on Timber against Rot and Insect Infestation
- Please Note: Pressure treatment is protecting against rot and infestation, it is not a water repellent. So we recommend a water repellent product to be used