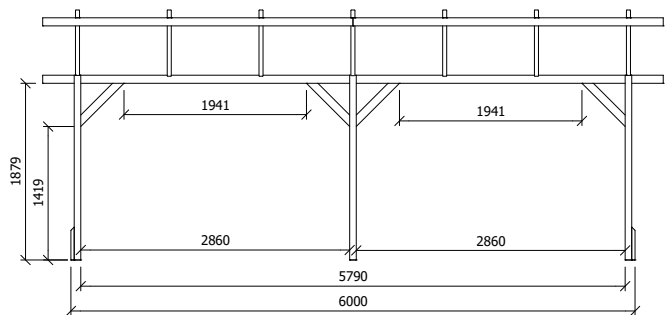
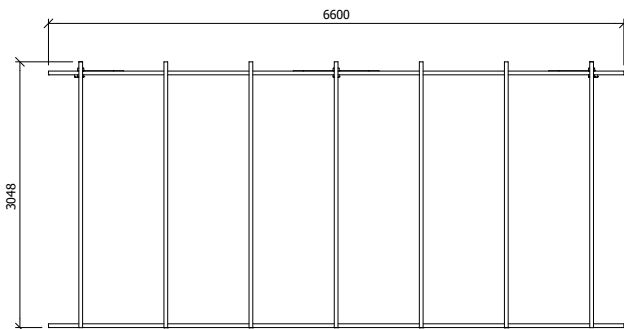
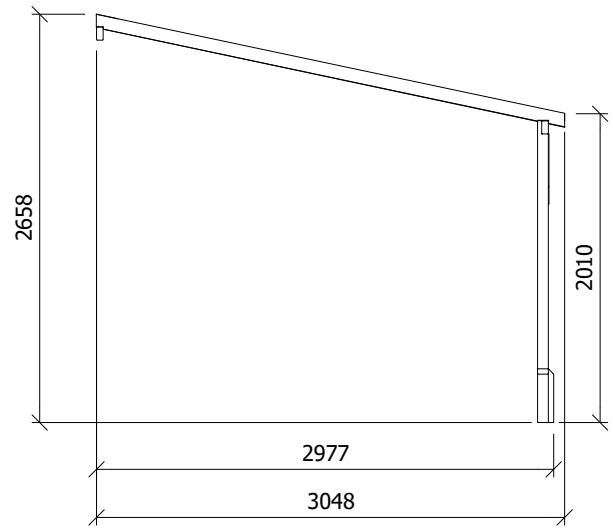


Utopia Lean To Pergola



Specification

- **Please Note:** All sizes quoted are nominal
- **External Width:** 6.60m (21' 7.75")
- **External Depth:** 3.05m (10' 0")
- **Internal Width:** 5.90m (19' 4.5")
- **Internal Depth:** 2.94m (9' 7")
- **Internal Area (m²):** 17.35m
- **Ridge Height:** 2.58m (8' 5")
- **Internal Eaves Height:** 2.49m (8' 2")
- **Timber:** Slow Grown Spruce
- **Guarantee:** 10 Years on Pressure Treated Timber against Rot and Insect Infestation

- **Approx. DIY Assembly Time:** 1 Days*

*This is an approximate time only, based on 2 people. Assembly time may vary depending on season/weather conditions, foundation type, ability of those constructing, etc

- **Please Note:** *Flashing and brackets/fixings required to attach the pergola to your wall are not included. As different types of walls require different fixings, you will need to seek professional advice as to which fixings to use.