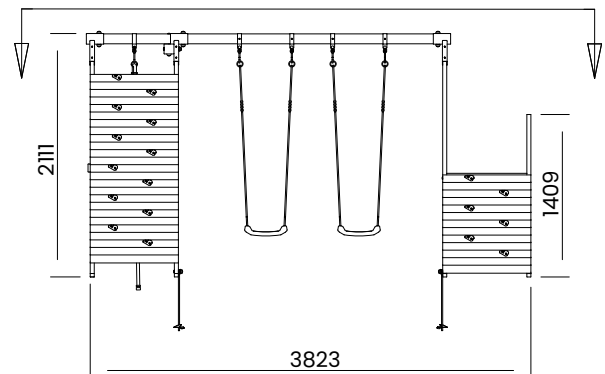
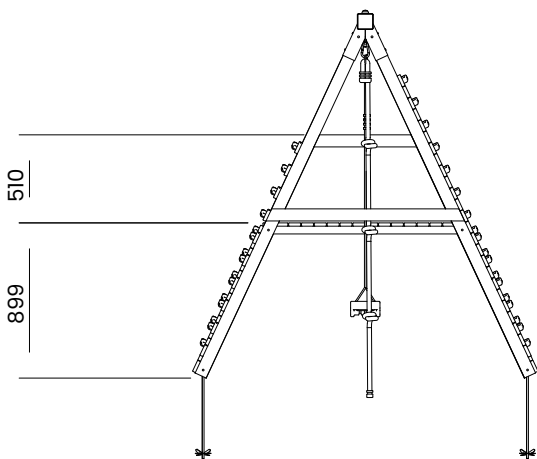
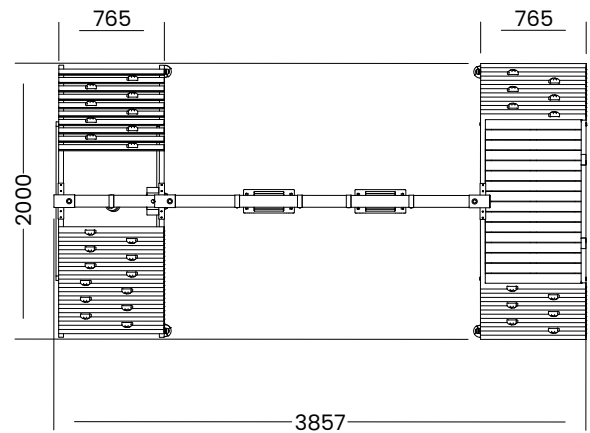


Foxcub Climbing Frame with Double Swing



Specification

- External Width: 3.857m (12' 7.75")
- External Depth: 2.000m (6' 6.75")
- Tower Platform Width: 695mm (2' 3.25")
- Tower Platform Depth: 1186mm (3' 10.75")
- Tower Platform Area (m²): 0.86m
- Platform Height from ground: 900mm
- Maximum Combined User Weight: 200Kg
- Number of Children: 4
- Number of Children on Platform: 2 Maximum at one time
- Weight of Children: 50Kg
- Suitable Age Range: 3 - 14 Years Old
- Independently Tested Safety Standard: EN71
- Safety Ground Anchors: 4 included
- Safety Ground Anchor Length: 530mm

- Wrap Around Safety Swing Hooks: 4
- Climbing Wall: Yes
- Ladder: Yes
- Use: Domestic Only (With Adult Supervision)
- Screws and Fixings: Included
- Pictorial Assembly Instructions: Included
- Approx. DIY Assembly Time: 1 Days. This is an approximate time only, based on 2 people. Assembly time may vary depending on season/weather conditions, foundation type, ability of those constructing, etc