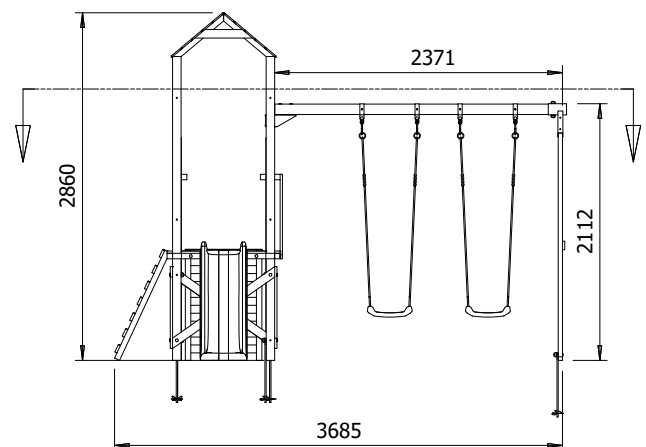
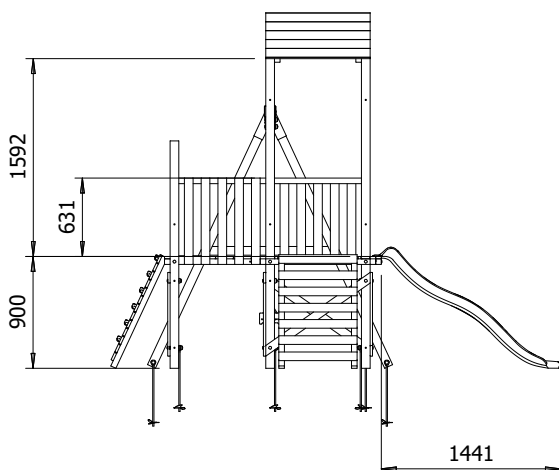
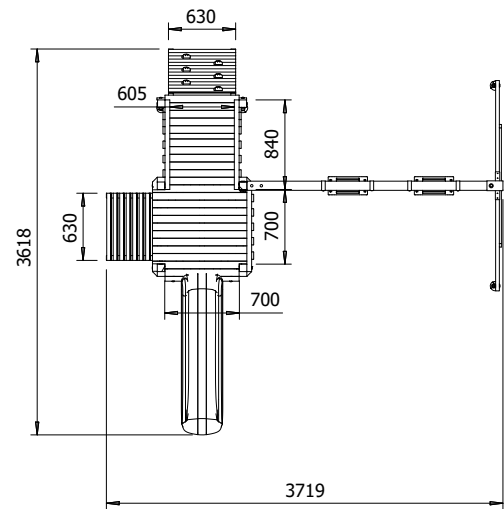


FrontierFort with Single Swing



Specification

- External Width: 3.719m (12' 2.5")
- External Depth: 3.618m (11' 10.5")
- Tower Platform Width: 0.93m (3' 0.5")
- Tower Platform Depth: 0.93m (3' 0.5")
- Tower Platform Area (m²): 0.86m
- Balcony/Bridge Platform Width: 0.695m (2' 3.25")
- Balcony/Bridge Platform Depth: 0.77m (2' 6.25")
- Balcony/Bridge Platform Area (m²): 0.54m
- Overall Height: 2.86m (9' 4.5")
- Platform Height from ground: 900m
- Number of Children: 5 Maximum at one time
- Number of Children on Platform: 2 Maximum at one time
- Weight of Children: 50kg Maximum
- Maximum Combined User Weight: 300kg

- Platform Thickness: 19mm
- Platform Framing: 45mm
- Balustrade Height: 0.630m (2' 0.75")
- Balustrade Timber Thickness: 45mm
- Approx. DIY Assembly Time: 1 Days. This is an approximate time only, based on 2 people. Assembly time may vary depending on season/weather conditions, foundation type, ability of those constructing, etc