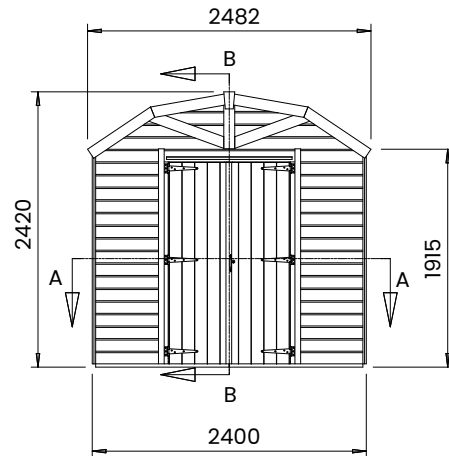
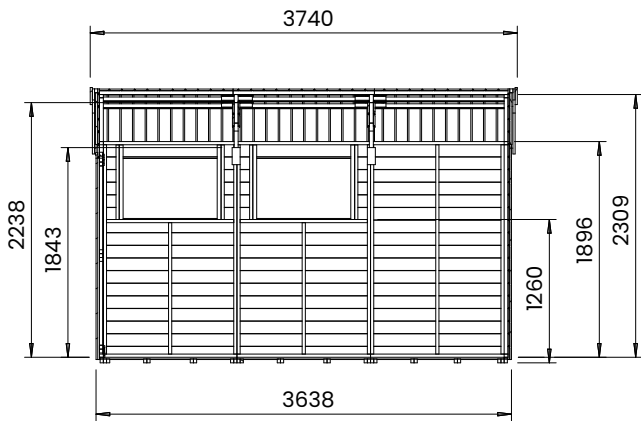
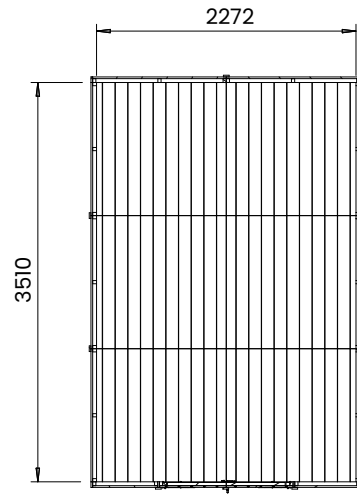


Overlord Modular Reverse Dutch Barn



Specification

- Overall External Dimensions: W3.740m x D2.482m (12' 3.25" x 8' 1.75")
- External Width: 3.638m (11' 11.25")
- External Depth: 2.400m (7' 10.5")
- Internal Width: 3.510m (11' 6.25")
- Internal Depth: 2.272m (7' 5.5")
- Internal Area (m²): 7.975m² (26'2")
- Internal Eaves Height: 2.309m (7'7")
- Ridge Height: 2.420m (7' 11.25")
- Roof Thickness: 15mm
- Wall Thickness: 15mm
- Floor Thickness: 15mm
- Framing: 28mm x 34mm
- Walls: 100% Slow Grown Spruce
- Floor Bearers: Pressure Treated for Longevity

- Door Walkthrough Height: 1.727 (5' 8")
- Door Walkthrough Width: 1.046m (3' 5.25")
- Door Locking System: Lock and 2x Shoot Bolts
- Approx DIY Assembly Time: 2 Days* *This is an approximate time only, based on 2 people. Assembly time may vary depending on season/weather conditions, foundation type, ability of those constructing, etc