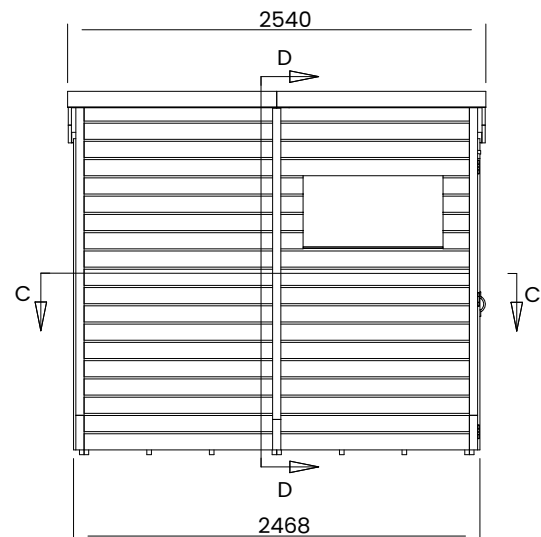
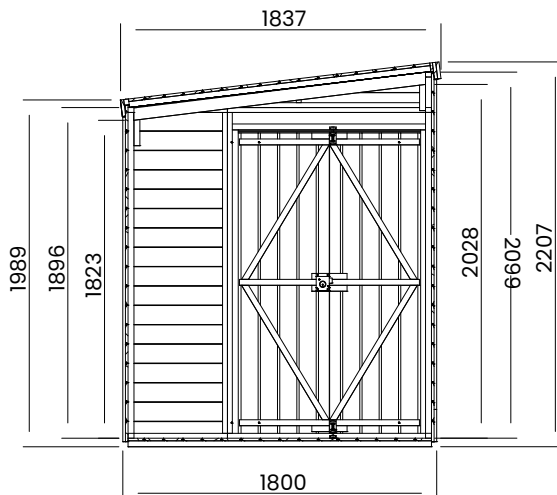
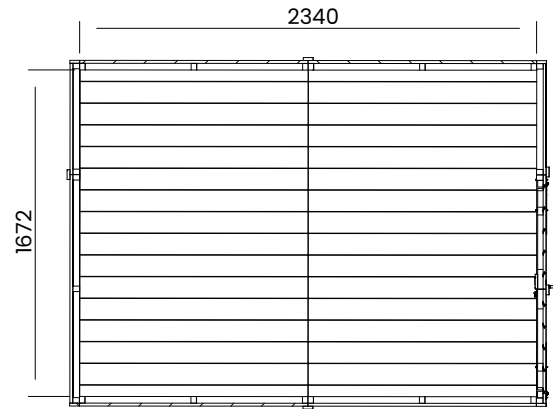


# Overlord Modular Shed



## Specification

- Overall External Dimensions: 1.837m x 2.540m (6' 0.25" x 8' 4")
- External Width: 1.800m (5' 10.75")
- External Depth: 2.468m (8' 1.25")
- Internal Width: 1.672m (7' 5.75")
- Internal Depth: 2.340m (7' 8.25")
- Internal Area (m<sup>2</sup>): 3.912m<sup>2</sup>
- Overall Height: 2.207m (7' 3")
- Internal Eaves Height: 1.989m (6' 6")
- Roof Thickness: 15mm Tongue & Groove
- Roof Covering Options: Felt Included as Standard
- Roof Purlins: 70mm x 35mm

- Walls: 15mm Tongue & Groove
- Framing: 28mm x 34mm
- Floor Thickness: 15mm Tongue & Groove
- Windows: Without Windows
- Glazing Material: 4mm Toughened Glass
- Shed Door Locking System: Lock and 2x Shoot Bolts
- Shed Door Style: Double Doors
- Floor Bearers: Pressure Treated
- Timber: Pressure Treated Slow Grown Spruce
- Guarantee: 10 Year Guarantee on Timber against Rot and Insect Infestation