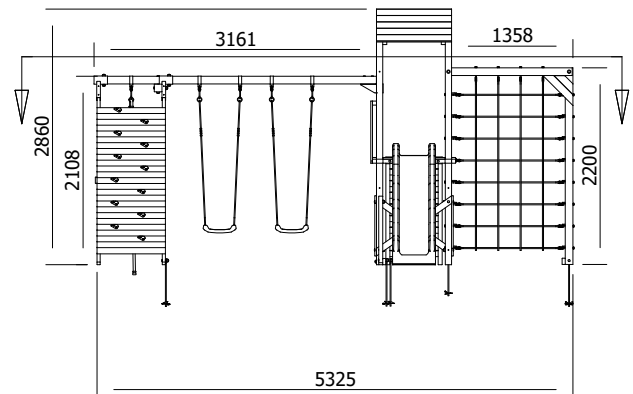
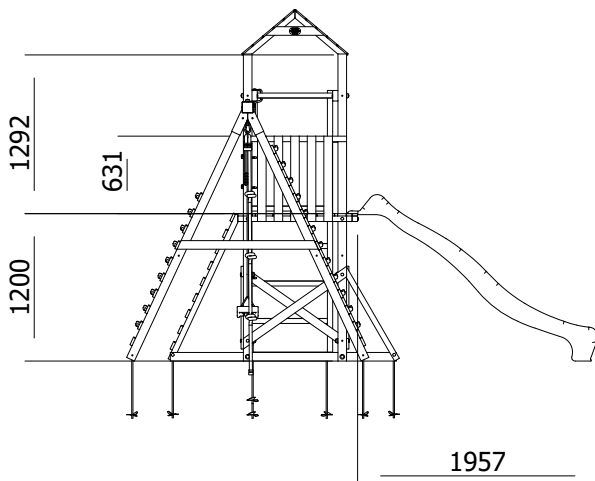
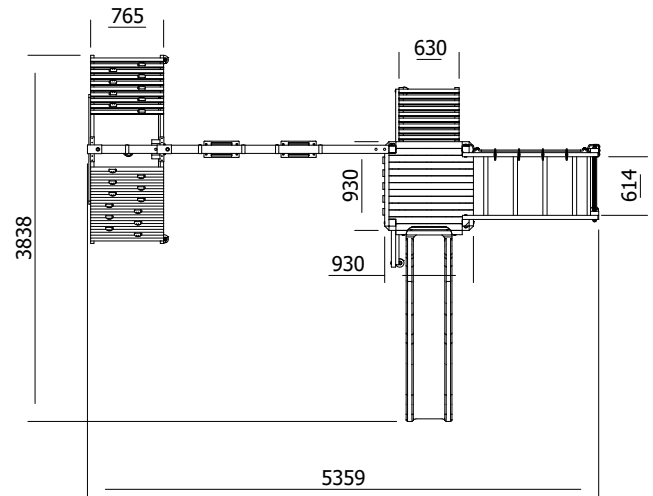


SquirrelFort Climbing Frame HIGH Platform

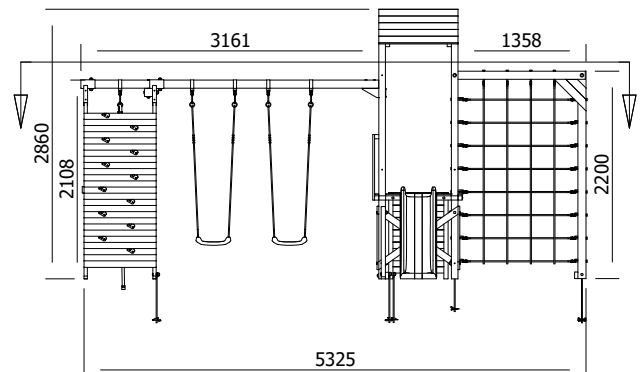
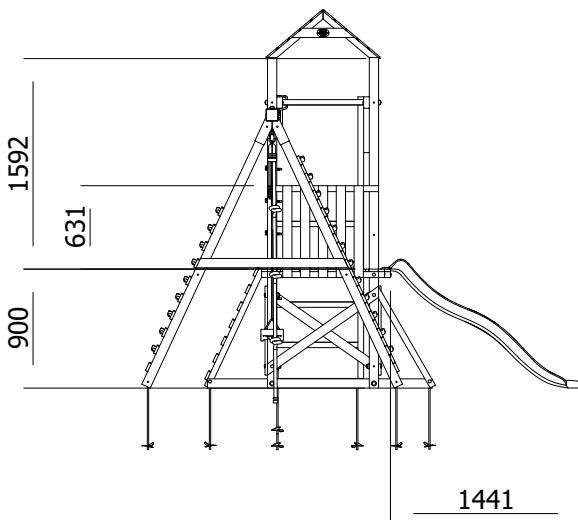
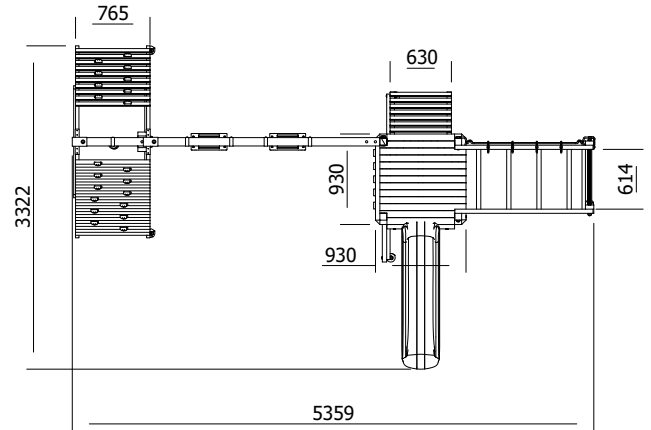


Specification

- External Width: 5.359m (17' 7")
- External Depth: 3.838m (12' 7")
- Overall Height: 2.860m (9' 4.5")
- Platform Height from ground: 1.200m
- Tower Platform Width: 0.930m (3' 0.5")
- Tower Platform Depth: 0.930m (3' 0.5")
- Tower Platform Area (m²): 0.86m²
- Number of Children: 6 Maximum at One Time
- Number of Children on Platform: 2 Maximum at One Time
- Weight of Children: 50kg
- Maximum Combined User Weight: 300kg

- Platform Thickness: 19mm
- Platform Framing: 45mm
- Balustrade Height: 0.631m (2' 1")
- Balustrade Timber Thickness: 45mm
- Approx. DIY Assembly Time: 1 Day. This is an approximate time only, based on 2 people. Assembly time may vary depending on season/weather conditions, foundation type, ability to those constructing etc.

SquirrelFort Climbing Frame LOW Platform



Specification

- External Width: 5.359m (17' 7")
- External Depth: 3.322m (10' 10.75")
- Overall Height: 2.860m (9' 4.5")
- Platform Height from ground: 900m
- Tower Platform Width: 0.930m (3' 0.5")
- Tower Platform Depth: 0.930m (3' 0.5")
- Tower Platform Area (m²): 0.86m²
- Number of Children: 6 Maximum at One Time
- Number of Children on Platform: 2 Maximum at One Time
- Weight of Children: 50kg
- Maximum Combined User Weight: 300kg

- Platform Thickness: 19mm
- Platform Framing: 45mm
- Balustrade Height: 0.631m (2' 1")
- Balustrade Timber Thickness: 45mm
- Approx. DIY Assembly Time: 1 Day. This is an approximate time only, based on 2 people. Assembly time may vary depending on season/weather conditions, foundation type, ability to those constructing etc.