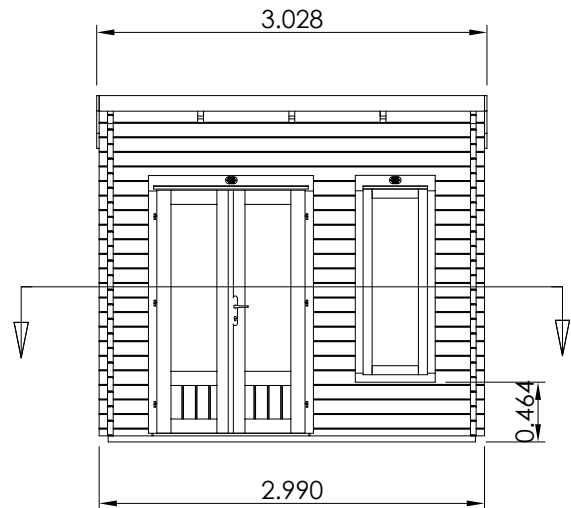
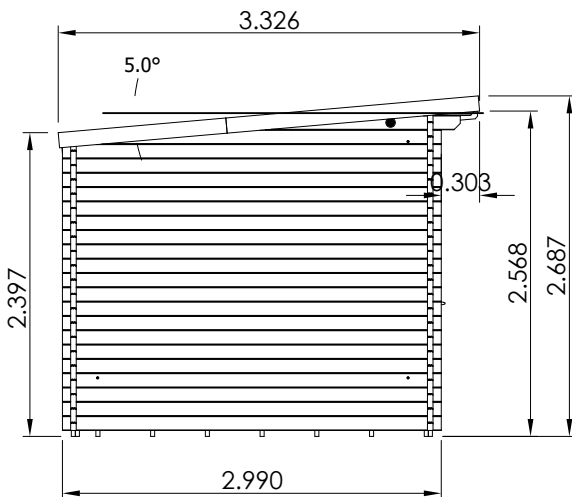
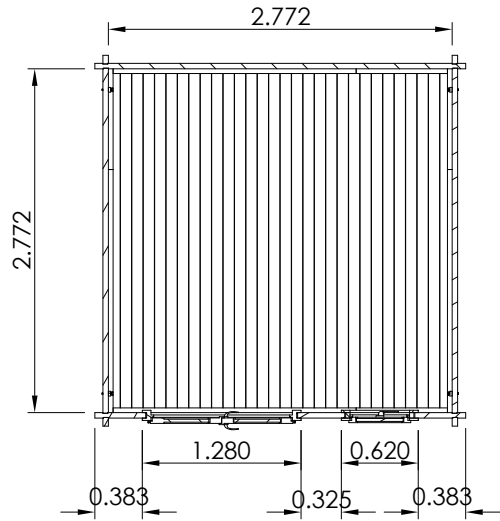


Terminator Highrise Log Cabin



Specification

- Overall External Dimensions: 3.028m x 3.326m (9' 11.25" x 10' 11")
- External Width: 2.990m (9' 9.75")
- External Depth: 2.990m (9' 9.75")
- Internal Width: 2.77m (9' 1")
- Internal Depth: 2.77m (9' 1")
- Internal Area (m²): 7.684m²
- Ridge Height: 2.689m (8' 9.75")
- Internal Eaves Height Front (to under the roof boards): 2.569m (8' 5.25")
- Internal Eaves Height Front (to under the roof purlins): 2.182m (7' 2")
- Internal Eaves Height Back (to under the roof boards): 2.371m (7' 9.25")
- Internal Eaves Height Back (to under the roof purlins): 2.231m (7' 3.75")
- Roof Thickness: 19mm Tongue & Groove

- Wall U-Value (W/m²K): 1.93 W/m²K
- Walls: 100% Slow-Grown Spruce
- Building Style: Strong Interlocking Tongue & Groove Logs
- Door Style: French Doors
- Door Locking System: Industry Leading 6 Point Lock - 2 Cams, Latch & Hook Bolt, 2 Shootbolts
- Door Walkthrough Height: 1.82m (5' 11")
- Door Walkthrough Width: Wide Opening 1.11m (3' 7")
- Window Opening Size: 0.43m x 1.37m (1' 4" x 4' 5")
- Window Locking System: Secure Multi-Point Locking with Espagnolettes
- Glazing Material: 4mm Toughened Glass
- Glazing Options: 24mm Double Glazing Included as Standard
- Floor Thickness: 19mm Tongue & Groove