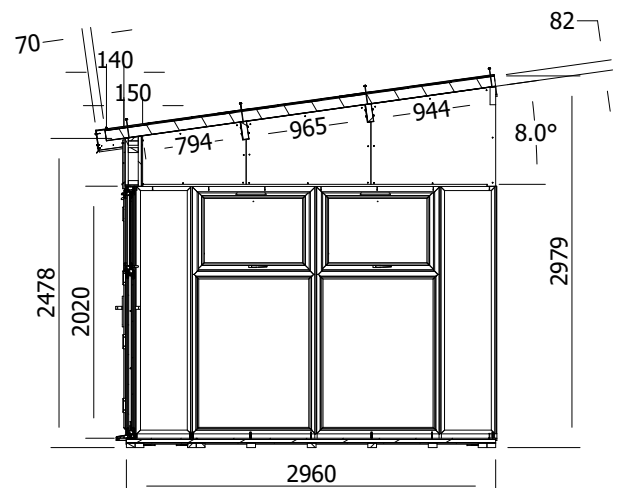
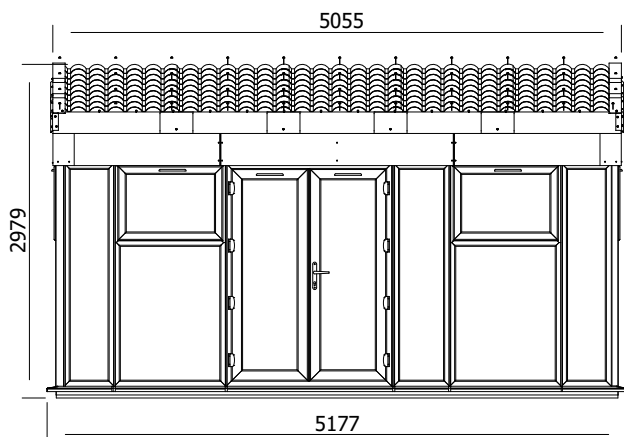
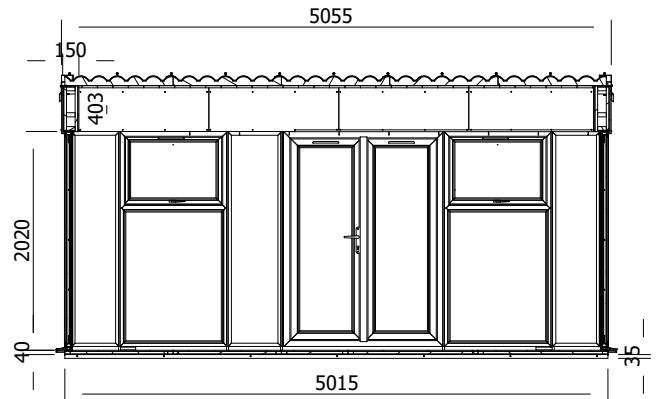


# Addrroom® Conservatory Alternative



## Specification

- **Overall External Dimensions:** 5.055m x 2.980m (16' 7" x 9' 9.25")
- **External Width:** 5.055m (16' 7")
- **External Depth:** 2.980m (9' 9.25")
- **Internal Width:** 4.755m (15' 7.25")
- **Internal Depth:** 2.830m (9' 3.5")
- **Internal Area (m<sup>2</sup>):** 13.456m<sup>2</sup>
- **Ridge Height:** 2.970m (9' 9")
- **Internal Eaves Height:** 2.423m (7' 11.5")
- **Overall Wall Thickness:** 140mm Insulated Panels (10mm WPC, 25mm PIR Insulation, 70mm Timber Frame, 25mm PIR Insulation, 10mm Fermacell)
- **Internal Finish:** Unpainted Fermacell Board
- **Roof Thickness:** 80mm
- **Floor Thickness:** 40mm Insulated Panels (5mm WPC, 25mm PIR Insulation and Timber Frame, 10mm MFP)
- **Floor Bearers:** Pressure Treated for longevity
- **Door Opening Size:** 1.950m x 1.342m (6' 4.75" x 4' 4.75")
- **Door Material:** Reinforced 5 Chamber uPVC Profile
- **Window Locking System:** Multi-Point Locking
- **Glazing Material:** 28mm Double Glazed
- **Gaskets:** On all Windows and Doors
- **Please Note:** Flashing not included
- **Approx. DIY Assembly Time:** 2 Days. This is an approximate time only, based on 2 people. Assembly time may vary depending on season/weather conditions, foundation type, ability of those constructing, etc