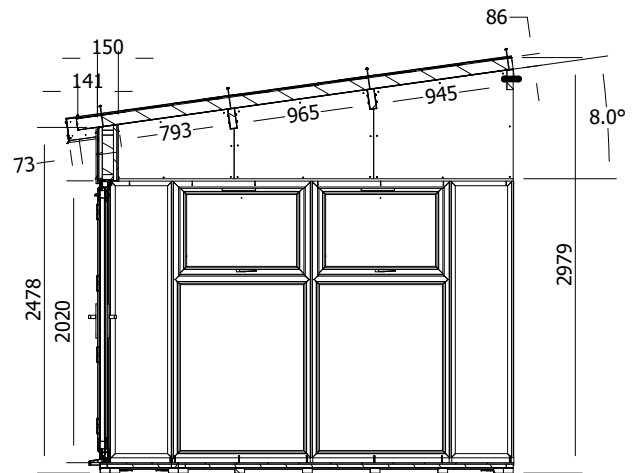
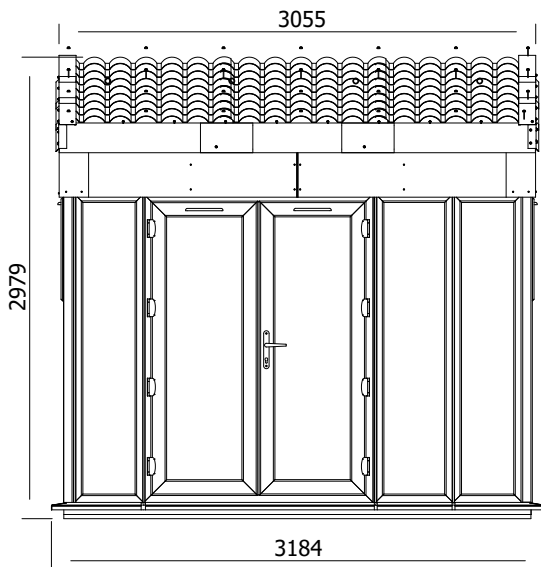
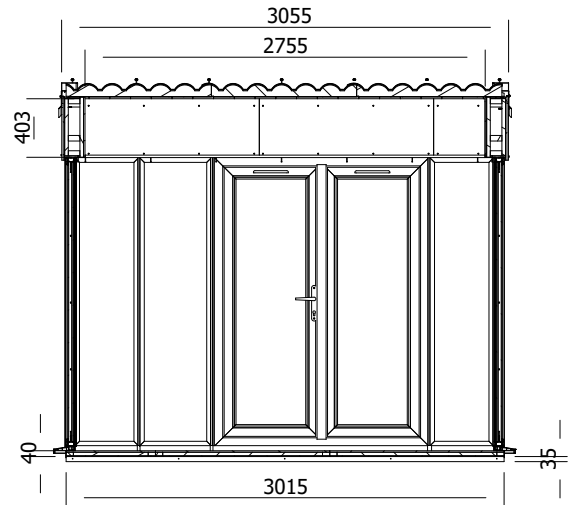


Addroom® Conservatory Alternative



Specification

- Overall External Dimensions: 3.055m x 2.98m (10' 0.25" x 9' 9.25")
- External Width: 3.055m (10' 0.25")
- External Depth: 2.980m (9' 9.25")
- Internal Width: 2.755m (9' 0.5")
- Internal Depth: 2.830m (9' 3.5")
- Internal Area (m²): 7.796m²
- Ridge Height: 2.970m (9' 9")
- Internal Eaves Height: 2.423m (7' 11.5")
- Overall Wall Thickness: 140mm Insulated Panels (10mm WPC, 25mm PIR Insulation, 70mm Timber Frame, 25mm PIR Insulation, 10mm Fermacell)
- Internal Finish: Unpainted Fermacell Board
- Roof Thickness: 80mm
- Floor Thickness: 40mm Insulated Panels (5mm WPC, 25mm PIR Insulation and Timber Frame, 10mm MFP)

- Floor Bearers: Pressure Treated for longevity
- Door Opening Size: 1.950m x 1.342m (6' 4.75" x 4' 4.75")
- Door Material: Reinforced 5 Chamber uPVC Profile
- Window Locking System: Multi-Point Locking
- Glazing Material: 28mm Double Glazed
- Gaskets: On all Windows and Doors
- Please Note: Flashing not included
- Approx. DIY Assembly Time: 2 Days. This is an approximate time only, based on 2 people. Assembly time may vary depending on season/weather conditions, foundation type, ability of those constructing, etc

Drawings show base product as an example and excludes any wall configurations.