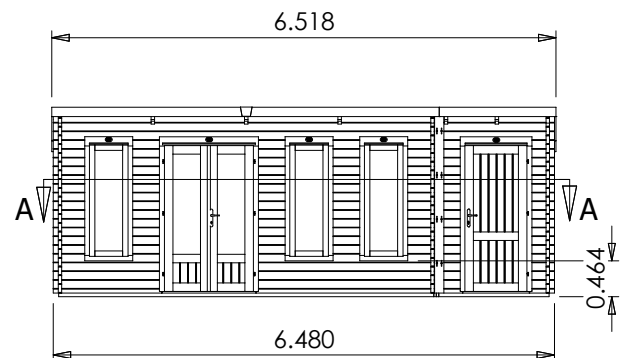
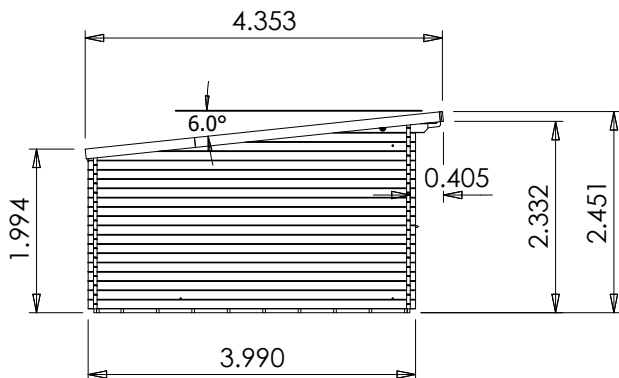
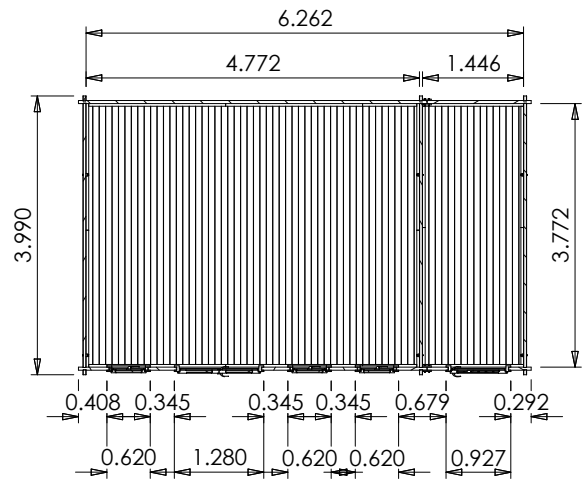


EvilAmy Multi Room Log Cabin



Specification

- Overall External Dimensions: 6.518m x 4.353m (21' 4.5" x 14' 3.5")
- External Width: 6.480m (21' 3")
- External Depth: 3.990m (13' 1")
- Main Room Internal Width: 4.772m (15' 7.75")
- Main Room Internal Depth: 3.772m (12' 4.5")
- Main Room Internal Area (m²): 18.0m (59' 0.75")
- Store Room Internal Width: 1.446m (4' 9")
- Store Room Internal Depth: 3.772m (12' 4.5")
- Store Room Internal Area (m²): 5.454m (17' 10.75")
- Ridge Height: 2.451m (8' 0.5")
- Internal Eaves Height Front (to under the roof boards): 2.301m (2.301 7' 6.5")
- Internal Eaves Height Front (to under the roof purlins): 2.161m (7' 1")
- Internal Eaves Height Back (to under the roof boards): 1.904m (6' 3")
- Internal Eaves Height Back (to under the roof purlins): 1.764m (5' 9.5")
- Roof Overhang: 0.405m (1' 4")
- Roof Thickness: 19mm
- Roof Covering Options: Felt
- Walls: 45mm
- Floor Thickness: 19mm
- Floor Bearers: Pressure Treated for Longevity
- Door Style: Doubled Glazed French Doors
- Door Locking System: Industry Leading 6 Point Lock - 2 Cams, Latch & Hook Bolt, 2 Shootbolts
- Approx. DIY Assembly Time: 2 Days. This is an approximate time only, based on 2 people. Assembly time may vary depending on season/weather conditions, foundation type, ability of those constructing, etc