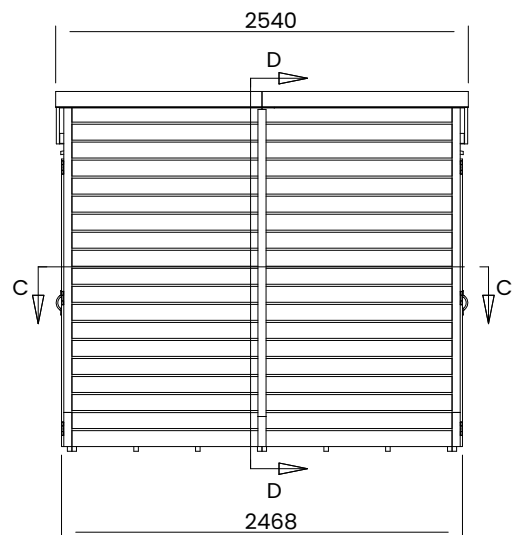
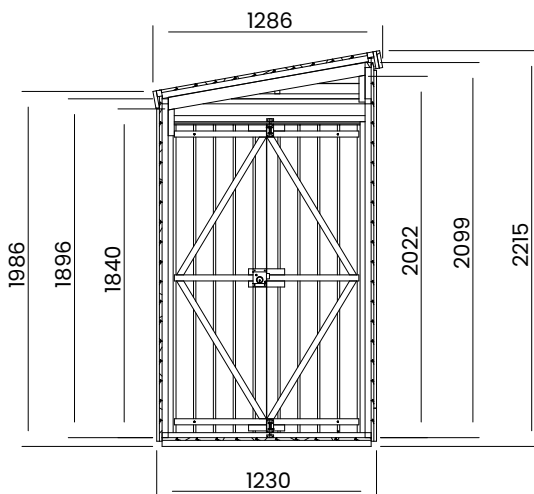
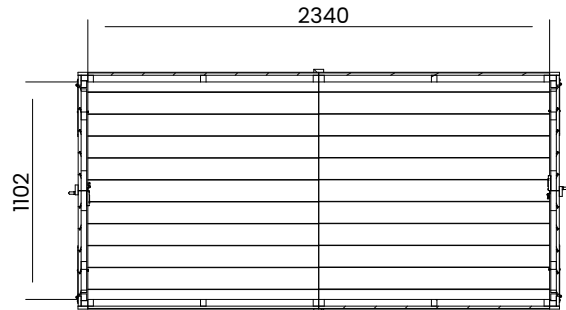


Overlord Modular Shed



Specification

- **Overall External Dimensions:** 2.540m x 1.286m (8' 4" x 4' 2.75")
- **External Width:** 2.468m (8' 1.25")
- **External Depth:** 1.230m (4' 0.5")
- **Internal Width:** 2.340m (7' 8.25")
- **Internal Depth:** 1.102m (3' 7.5")
- **Internal Area (m²):** 2.579m²
- **Ridge Height:** 2.215m (7' 3.25")
- **Internal Eaves Height:** 2.099m (6' 10.75")
- **Roof Thickness:** 15mm Tongue & Groove
- **Roof Covering Options:** Roof Felt Included
- **Roof Purlins:** 35mm x 70mm

- **Walls:** 15mm Tongue & Groove
- **Framing:** 28mm x 34mm
- **Floor Thickness:** 15mm Tongue & Groove
- **Windows:** Without Windows
- **Glazing Material:** 4mm Toughened Glass
- **Shed Door Locking System:** Lock and 2x Shoot Bolts
- **Shed Door Style:** Double Doors
- **Floor Bearers:** Pressure Treated
- **Timber:** Pressure Treated Slow Grown Spruce
- **Guarantee:** 10 Year Guarantee on Timber against Rot and Insect Infestation