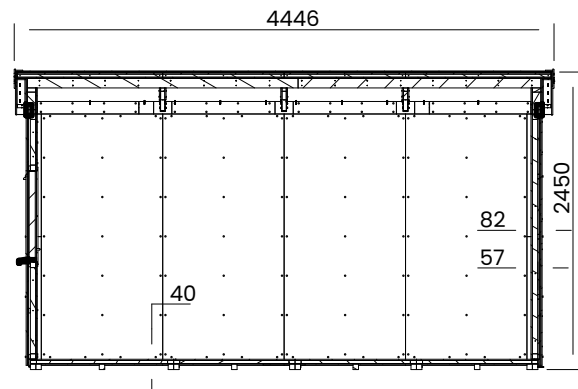
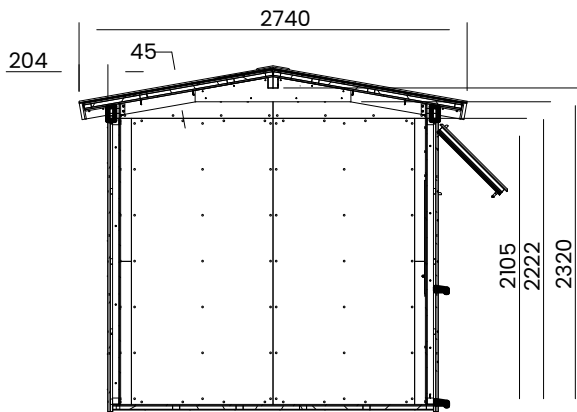
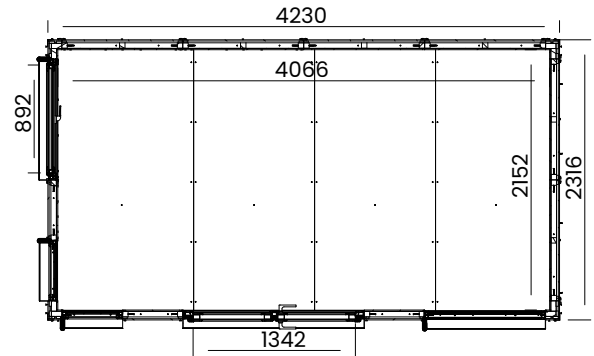


Dominator Composite Garden Office



Specification

- **External Width:** 4.233m (13' 10.75")
- **External Depth:** 2.319m (7' 7.25")
- **Internal Width:** 4.066m (13' 4")
- **Internal Depth:** 2.152m (7' 0.75")
- **Internal Area (m²):** 8.750m²
- **Ridge Height:** 2.476m (8' 1.5")
- **Internal Eaves Height:** 2.045m (6' 8.5")
- **Roof Thickness:** 45mm
- **Roof Covering Options:** Superfelt Included
- **Roof U-Value (W/m²K):** 0.71 W/m²K
- **Floor Thickness:** 40mm
- **Floor Bearers:** Pressure Treated
- **Floor U-Value:** 0.81 W/m²K
- **Overall Wall Thickness:** 83mm
- **External Timber Thickness:** 10mm Composite Cladding
- **Insulation Thickness:** 25mm (Multifoil), 25mm (Optional Additional Insulation)
- **Insulation Material:** Multifoil. Optional Additional Polyisocyanurate Insulation (PIR)
- **Internal Finish:** Fermacell Boards
- **Wall U-Value (W/m²K):** 0.72 W/m²K, 0.40 W/m²K with optional additional Insulation
- **Please Note:** All fixings needed for assembly are supplied
- **Please Note:** WPC pre-cut (with the exception of trims) and pre notched for quick and easy construction.