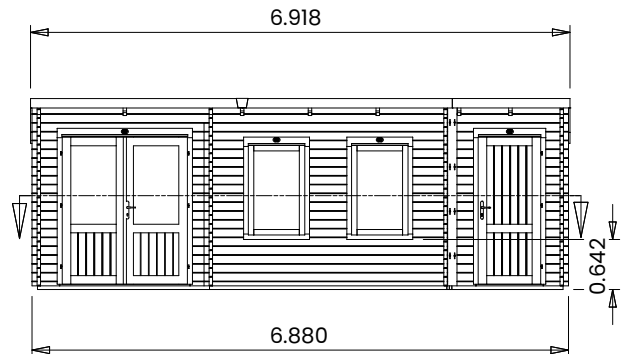
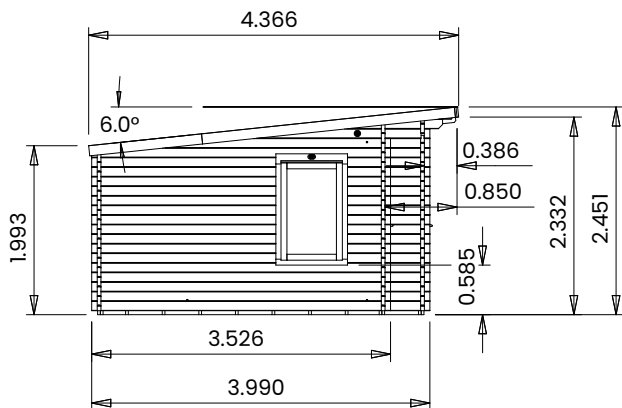
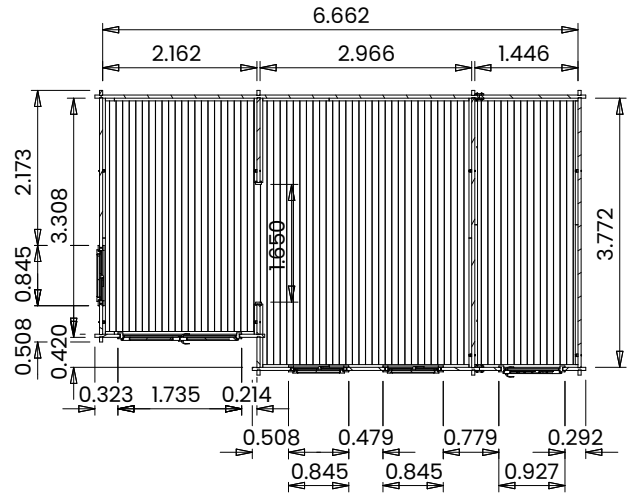


# EvilCyborg Log Cabin



## Specification

- Overall External Dimensions: 6.918m x 4.366m (22' 8.25" x 14' 4")
- External Width: 6.880m (22' 6.75")
- External Depth: 3.990m (13' 1")
- Main Room Internal Width: 2.966m (9' 8.75")
- Entrance Room Internal Width: 2.162m (7' 1")
- Main Room Internal Depth: 3.772m (12' 4.5")
- Entrance Room Internal Depth: 3.308m (10' 10.25")
- Main Room Internal Area (m<sup>2</sup>): 11.188m<sup>2</sup>
- Entrance Room Internal Area: 7.152m<sup>2</sup>
- Internal Eaves Height Front (to under the roof purlins): 2.161m (7' 1")
- Entrance Room Internal Eaves (Front - Purlins): 2.112m (6' 11.25")
- Internal Eaves Height Front (to under the roof boards): 2.301m (7' 6.5")

- Entrance Room Internal Eaves (Front - Roof Boards): 2.251m (7' 4.5")
- Internal Eaves Height Back (to under the roof purlins): 1.764m (5' 9.5")
- Internal Eaves Height Back (to under the roof boards): 1.904m (6' 3")
- Ridge Height: 2.449m (8' 0.5")
- Roof Purlins: 140mm x 45mm
- Main Door Width (Walkthrough Width): 1.550m (5' 1")
- Main Door Height (Walkthrough Height): 1.820m (5' 11.75")
- Walls: 45mm
- Floor Bearers: Pressure Treated Timber
- Roof Covering Options: SuperFelt
- Roof Thickness: 19mm
- Roof Overhang: 0.386m (1' 3.25")