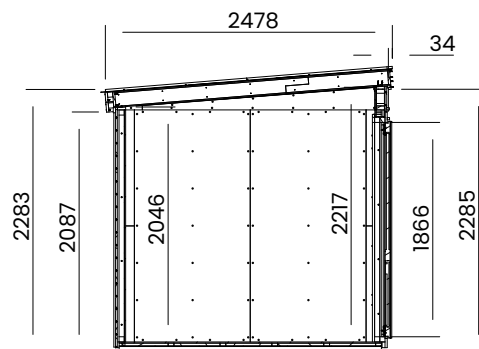
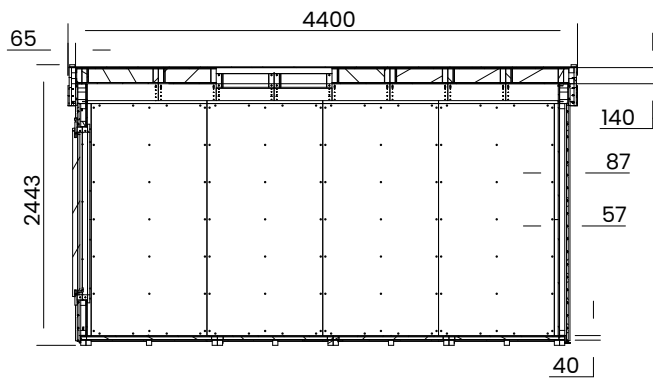
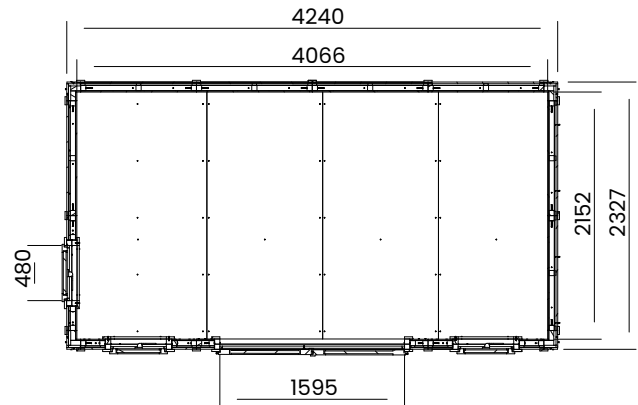


# Dominator Classic Garden Office



## Specification

- Overall External Dimensions: W2.49m x D4.38m (8' 2" x 14' 4.5")
- External Width: 2.33m (7' 7.5")
- External Depth: 4.24m (13' 11")
- Internal Width: 2.15m (7' 0.75")
- Internal Depth: 4.07m (13' 4")
- Internal Area (m<sup>2</sup>): 8.98m<sup>2</sup>
- Internal Eaves Height: 2.22m (7' 3.25")
- Ridge Height: 2.48m (8' 1.75")
- Roof Thickness: 140mm
- Overall Wall Thickness: 87mm
- Floor Thickness: 40mm
- Framing: 45mm
- Walls: 100% Slow Grown Spruce
- Floor Bearers: Pressure Treated for Longevity
- Door Walkthrough Height: 1.87m (6' 1.5")
- Door Walkthrough Width: 1.60m (5' 2.75")
- Door Locking System: Industry Leading 6 Point Lock - 2 Cams, Latch & Hook Bolt, 2 Shootbolts
- Approx DIY Assembly Time: 2-3 Days\* \*This is an approximate time only, based on 2 people. Assembly time may vary depending on season/weather conditions, foundation type, ability of those constructing, etc