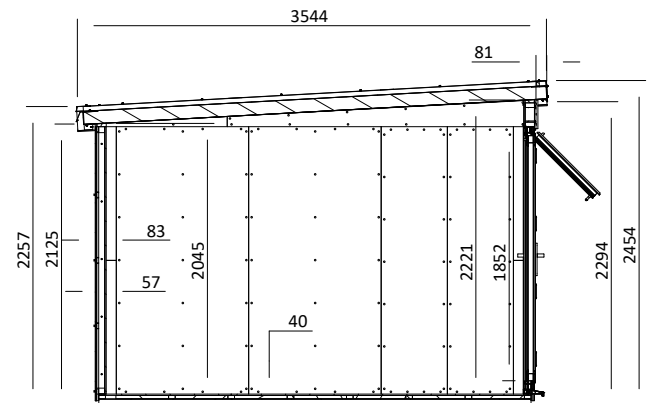
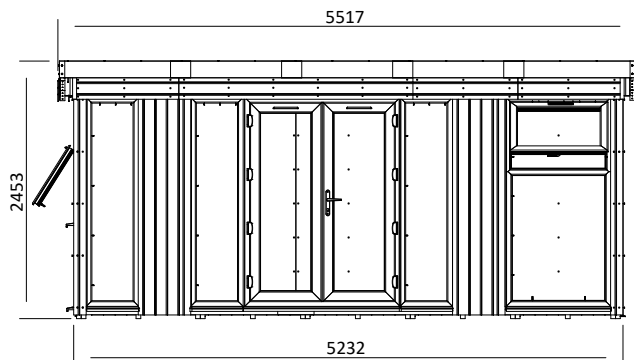
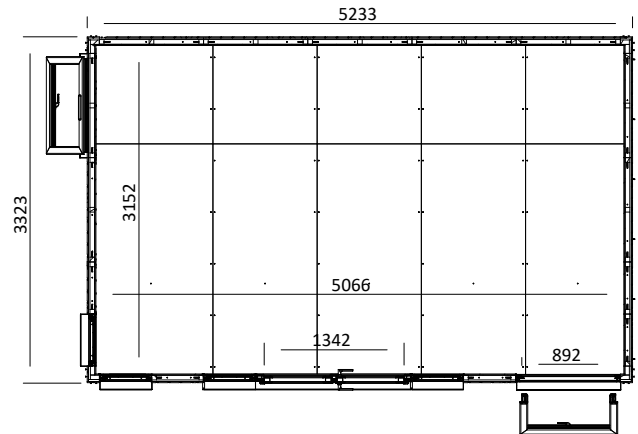


Dominator Pressure Treated Garden Office



Specification

- Overall External Dimensions: 5.517m x 3.553m (18' 1.25" x 11' 8")
- External Width: 5.233m (17' 2")
- External Depth: 3.326m (10' 11")
- Internal Width: 5.066m (16' 7.5")
- Internal Depth: 3.326m (10' 11")
- Internal Area (m²): 16.85m²
- Ridge Height: 2.453m (8' 0.5")
- Internal Eaves (Front): 2.221m (7' 3.5")
- Internal Eaves (Rear): 2.045m (6' 8.5")
- Roof Thickness: 135mm
- Roof U-Value (W/m²K): 0.21 W/m²K
- Floor Thickness: 40mm
- Floor U-Value: 0.81 W/m²K
- Floor Bearers: Pressure Treated
- Overall Wall Thickness: 87mm
- External Timber Thickness: 15mm Timber Cladding
- Insulation Thickness: 25mm (Multifoil), 25mm (Optional Additional Insulation)
- Insulation Material: Multifoil. Optional Additional Polyisocyanurate Insulation (PIR)
- Internal Finish: Fermacell
- Wall U-Value (W/m²K): 0.7 W/m²K, 0.45 W/m²K with optional Insulation
- Windows: 28mm Double Glazed Toughened Glass - Reinforced 5 Chamber uPVC Profile
- Window Opening Size: 0.610m x 0.890m (2' 0" x 2' 11")
- Door Locking System: Multi-point
- Window Locking System: Multi-point with Mushroom Headed Espagnolettes

Drawings show base product as an example and excludes any wall configurations.