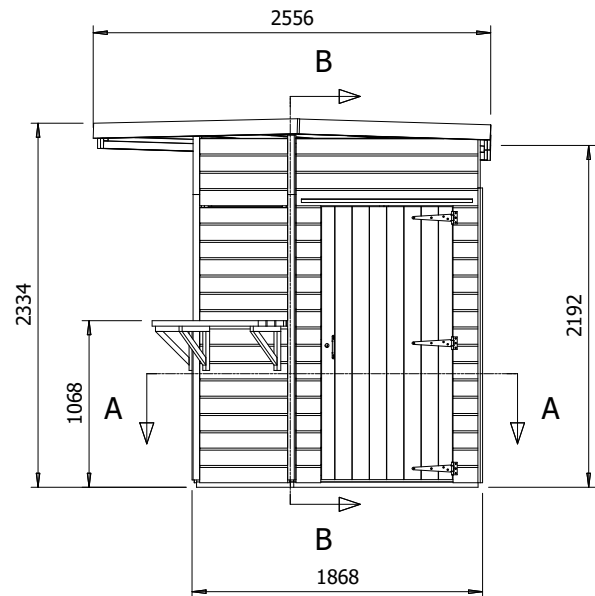
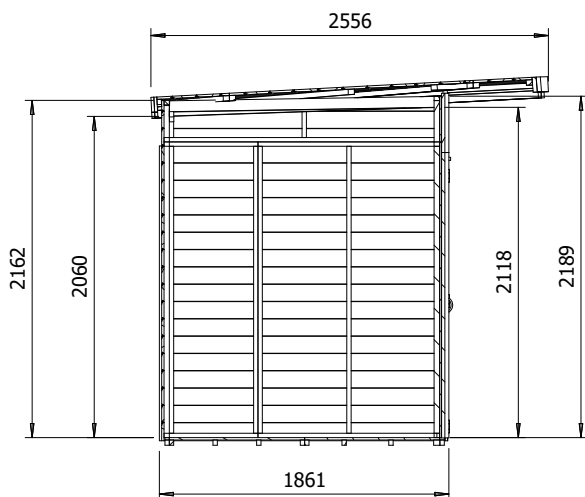
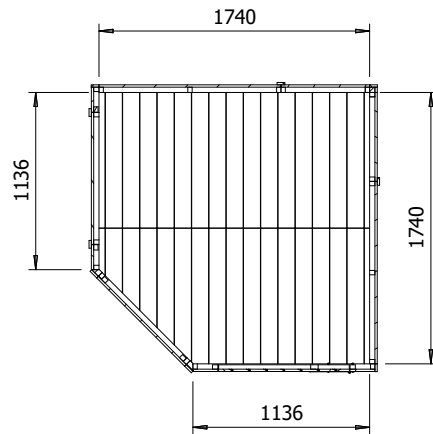


The Hangover Corner Garden Bar III



Specification

- Overall External Dimensions: 2.556m x 2.556m (8' 4.75" x 8' 4.75")
- External Width: 1.868m (6' 1.5")
- External Depth: 1.861m (6' 1.25")
- Internal Width: 1.740m (5' 8.5")
- Internal Depth: 1.740m (5' 8.5")
- Internal Area (m²): 3.028m²
- Internal Eaves Height: 2.189m (7' 2.25")
- Ridge Height: 2.334m (7' 8")
- Roof Thickness: 15mm
- Wall Thickness: 15mm
- Floor Thickness: 15mm
- Framing: 28mm x 34mm
- Walls: 100% Slow Grown Spruce
- Timber Treatment: Pressure Treated for Longevity
- Door Walkthrough Height: 1.728m (5' 8")
- Door Walkthrough Width: 0.850m (2' 9.5")
- Guarantee: 10 Year Guarantee on Pressure Treated Timber
- Approx DIY Assembly Time: 2 Days* *This is an approximate time only, based on 2 people. Assembly time may vary depending on season/weather conditions, foundation type, ability of those constructing, etc