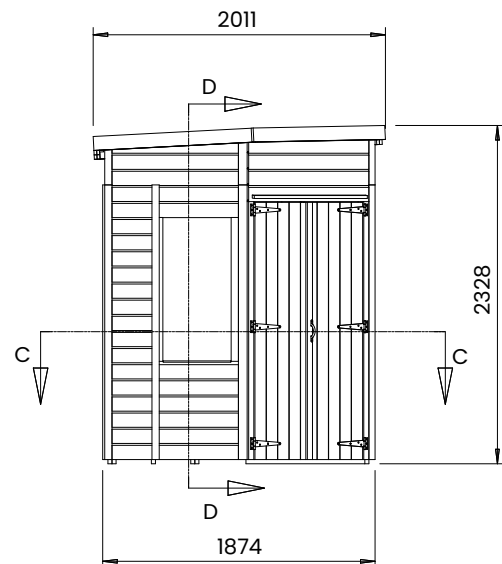
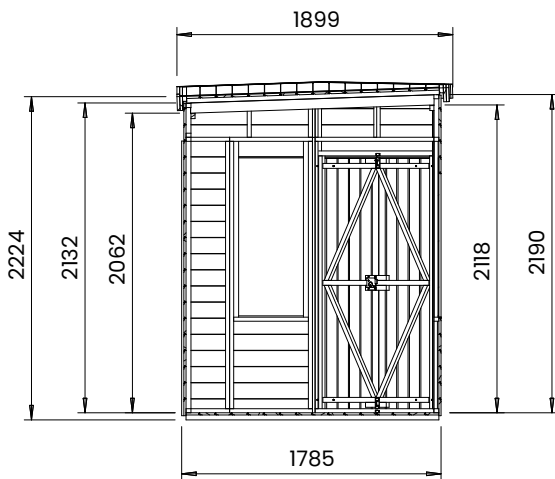
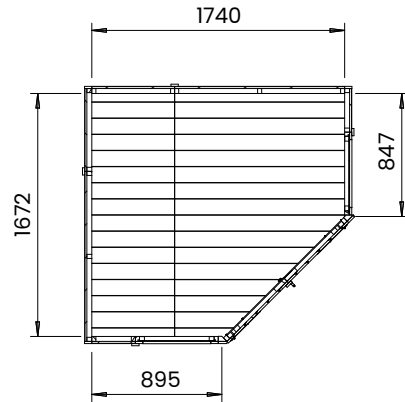


Overlord Modular Corner Shed



Specification

- Overall External Dimensions: W2.011m x D1.899m (6' 7.25" x 6' 2.75")
- External Width: 1.874m (6' 1.75")
- External Depth: 1.785m (5' 10.25")
- Internal Width: 1.740m (5' 8.5")
- Internal Depth: 1.672m (5' 5.75")
- Internal Area (m²): 2.909m² (9' 6.5")
- Internal Eaves Height: 2.190m (7' 2.25")
- Ridge Height: 2.328m (7' 7.75")
- Roof Thickness: 15mm
- Wall Thickness: 15mm
- Floor Thickness: 15mm
- Framing: 28mm x 34mm
- Walls: 100% Slow Grown Spruce
- Floor Bearers: Pressure Treated for Longevity

- Glazing Material: 4mm Toughened Glass
- Shed Door Style: Double Doors
- Door Locking System: Latch & Hook Bolt, 2 Shootbolts
- Approx DIY Assembly Time: 2 Days* *This is an approximate time only, based on 2 people. Assembly time may vary depending on season/weather conditions, foundation type, ability of those constructing, etc