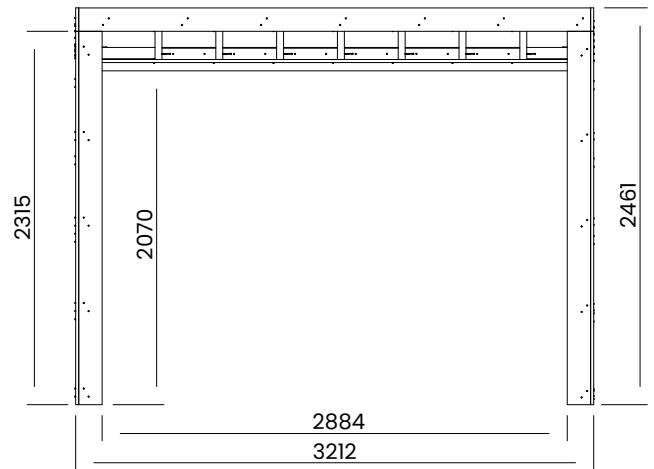


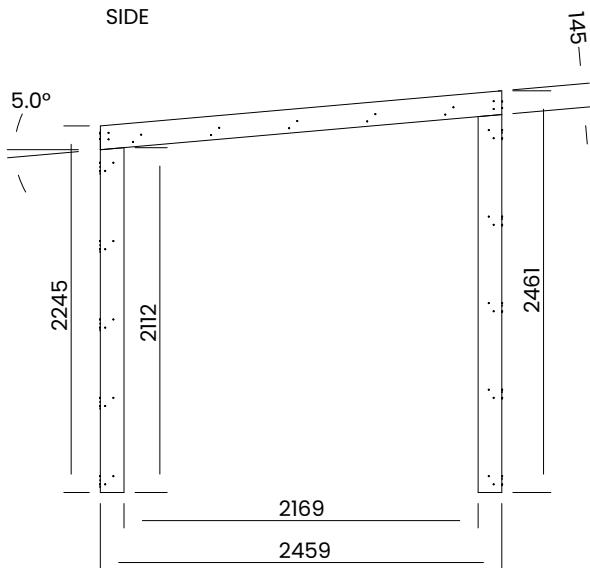
TerraCube Pergola



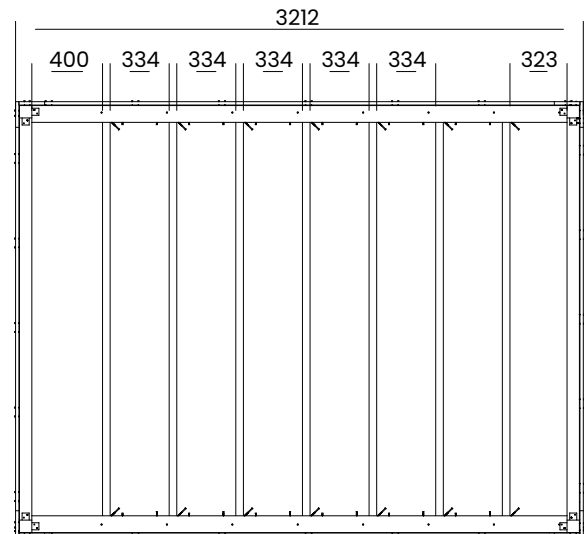
FRONT



SIDE



PLAN



Specification

- **Please Note:** All sizes quoted are nominal
- **External Width:** 3.212m (10' 7")
- **External Depth:** 2.459m (8' 1")
- **Internal Width:** 2.884m (9' 6")
- **Internal Depth:** 2.169m (7' 2")
- **Internal area (m²):** 6.26m²
- **Overall Height:** 2.46m (8' 1")
- **Internal Eaves Height:** 2.11m (6' 11")
- **Panel Framing:** 70mm x 70mm

- **Please Note:** All wood is pre-cut (with the exception of trims) for quick and easy construction.
 - **Please Note:** All fixings needed for assembly are supplied
 - **Guarantee:** 10 Years on Pressure Treated Timber against Rot and Insect Infestation
 - **Approx. DIY Assembly Time:** 1 Days*
- *This is an approximate time only, based on 2 people. Assembly time may vary depending on season/weather conditions, foundation type, ability of those constructing, etc